



V-Mount



Gold Mount

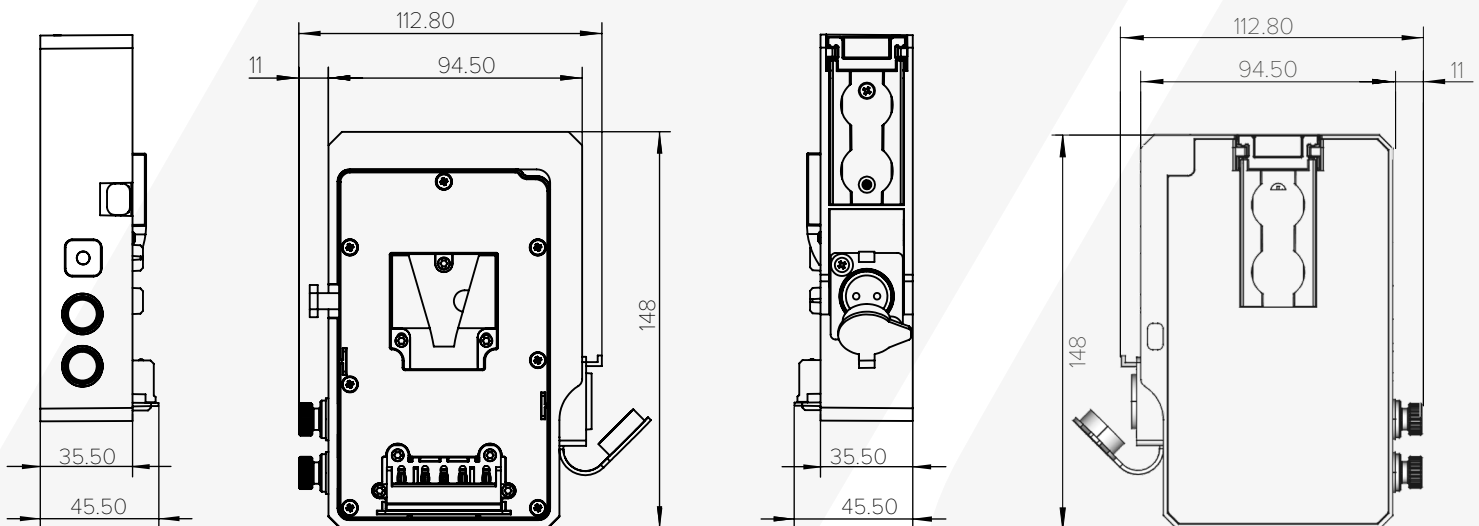
RuntimeExtender is a battery plate to connect standard camera batteries to many Astera lights. This enables you to extend your production and work without worries when shooting films or lighting events. The RuntimeExtender supports a wide range of Astera products.

SPECIFICATIONS

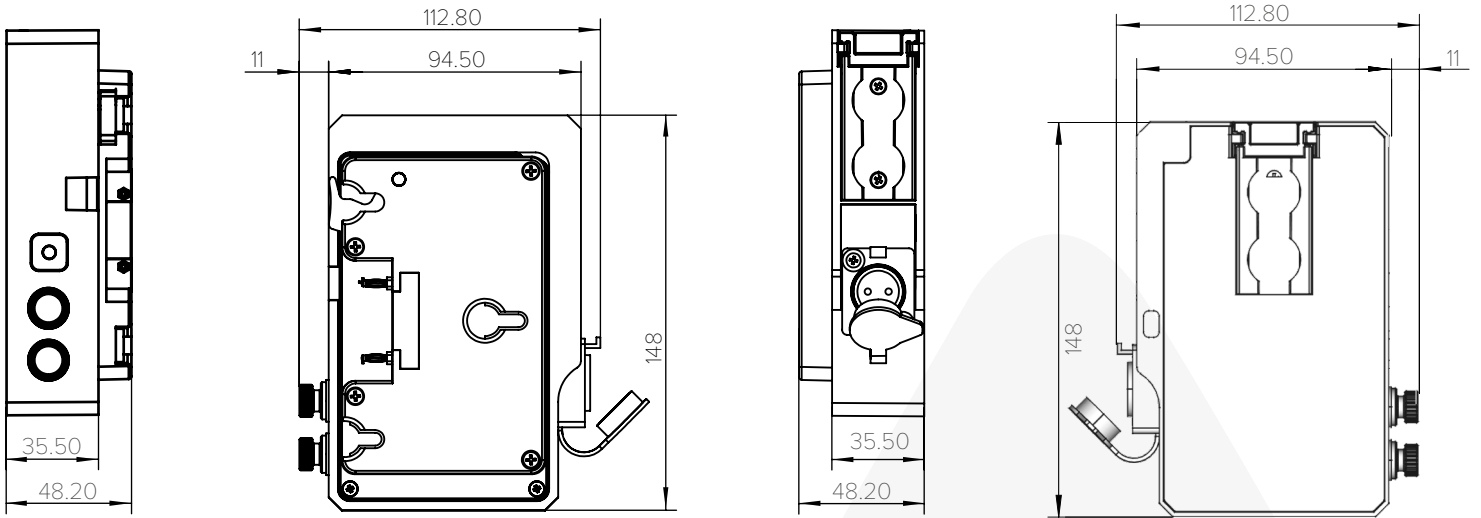
Order Code	REX1-VM (V-Mount)	REX1-GM (Gold Mount)
Battery Voltage	14.4 VDC or 26 VDC	
Battery Runtime	Dependant on third party battery used and type of fixture	
Battery Runtime max. Brightness	Dependant on third party battery used and type of fixture	
DC Output on DC Barrel Connectors	24 VDC - 100 W combined on two outputs	
DC Output on XLR	Direct passthrough from attached battery	
DC Connectors	2 x 5.5 mm x 2.1 mm / 1 x 3-Pin XLR	
AC Input	N/A	
Housing Material	Polycarbonate & Metal	
IP Rating	IP20	
Ambient Operating Temperature	0 - 40 °C / 32 - 104 °F	
Weight	617 g / 1.36 lbs	580 g / 1.28 lbs
Dimensions L x W x D	148 mm x 112.8 mm x 45.5 mm / 5.8" x 4.45" x 1.79"	148 mm x 112.8 mm x 48.2 mm / 5.8" x 4.45" x 1.9"
Mounting Options	2 x AirlineTrack compatible with PB15 accessories	

DRAWINGS

V-Mount

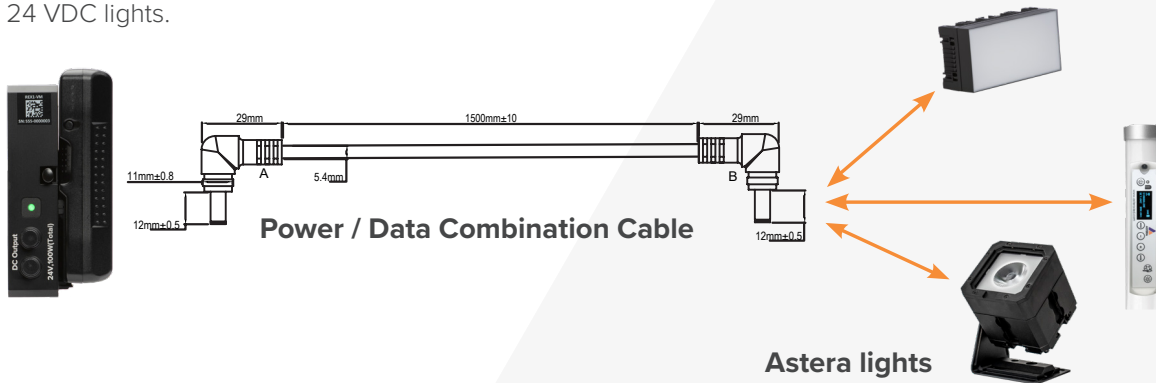


Gold Mount



CONNECT RUNTIME EXTENDER WITH ASTERA LIGHTS

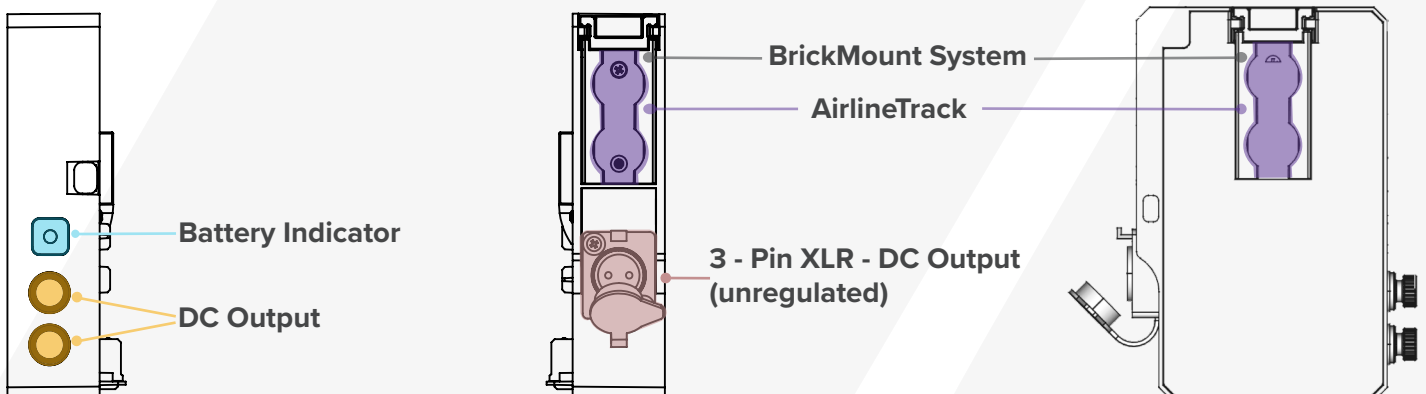
Insert any of Astera's Power / Data Combination Cables into one of the DC sockets of the RuntimeExtender and connect any of Astera's 24 VDC lights.



RUNTIME EXTENDER SUPPORTS A WIDE RANGE OF ASTERA PRODUCTS:

2x Titan Tube
2x Helios Tube
1x Hyperion Tube
4x HydraPanel
4x PixelBrick

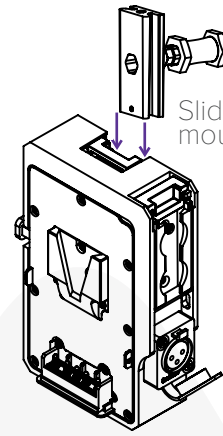
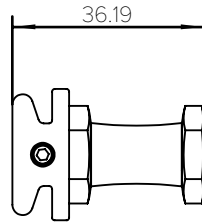
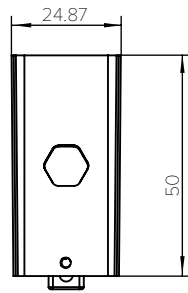
BUILT-IN FEATURES



ACCESSORIES

HexConnect AX-HCN

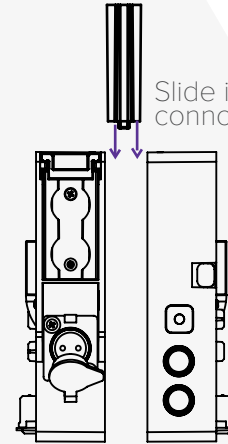
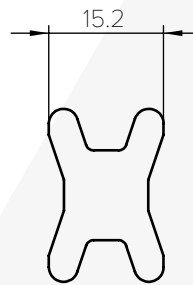
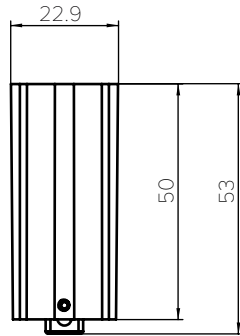
included



Slide into AirlineTrack to mount via SuperClamp

BrickConnect PB15-BCN

included

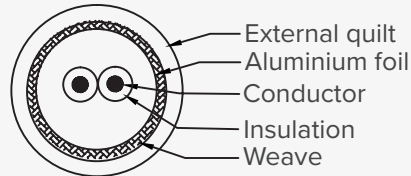


Slide into AirlineTrack to connect back-to-back

Power / Data Combination Cable PWB-CAB-1.5 (1.5m / 5 ft)

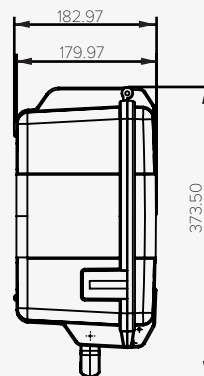
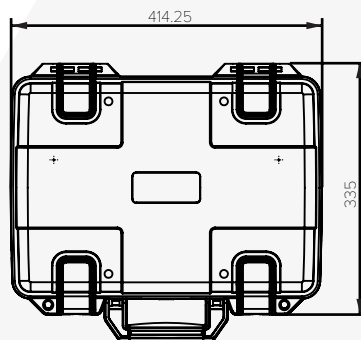


Wire section



Double twisted wire

Kit for 4 REX1-VM-KIT-4 / REX1-GM-KIT-4



Contains

4x RuntimeExtender (REX1-VM / -GM)	4x BrickConnect (PB15-BCN)
4x HexConnect (AX-HCN)	4x SuperClamp (third party article)
4x Power/Data Combination Cable (1.5 m / 5 ft) (PWB-CAB-1.5)	8x Waterproof Protection Cover (PB15-PLG)